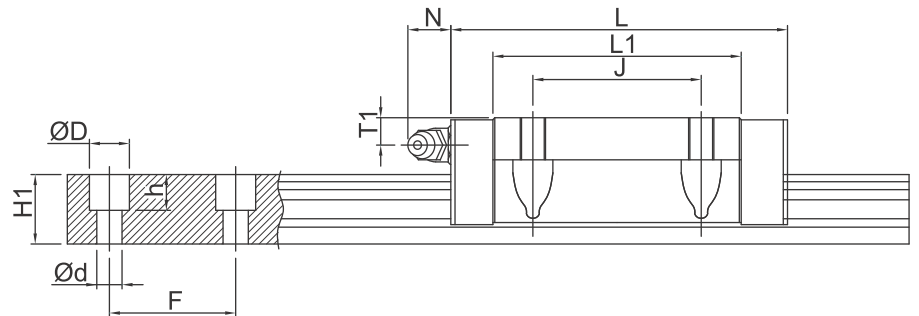
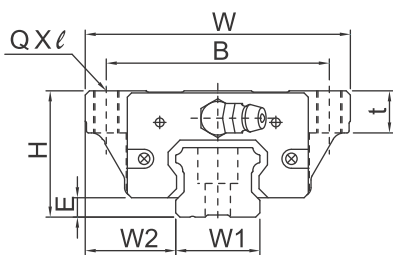


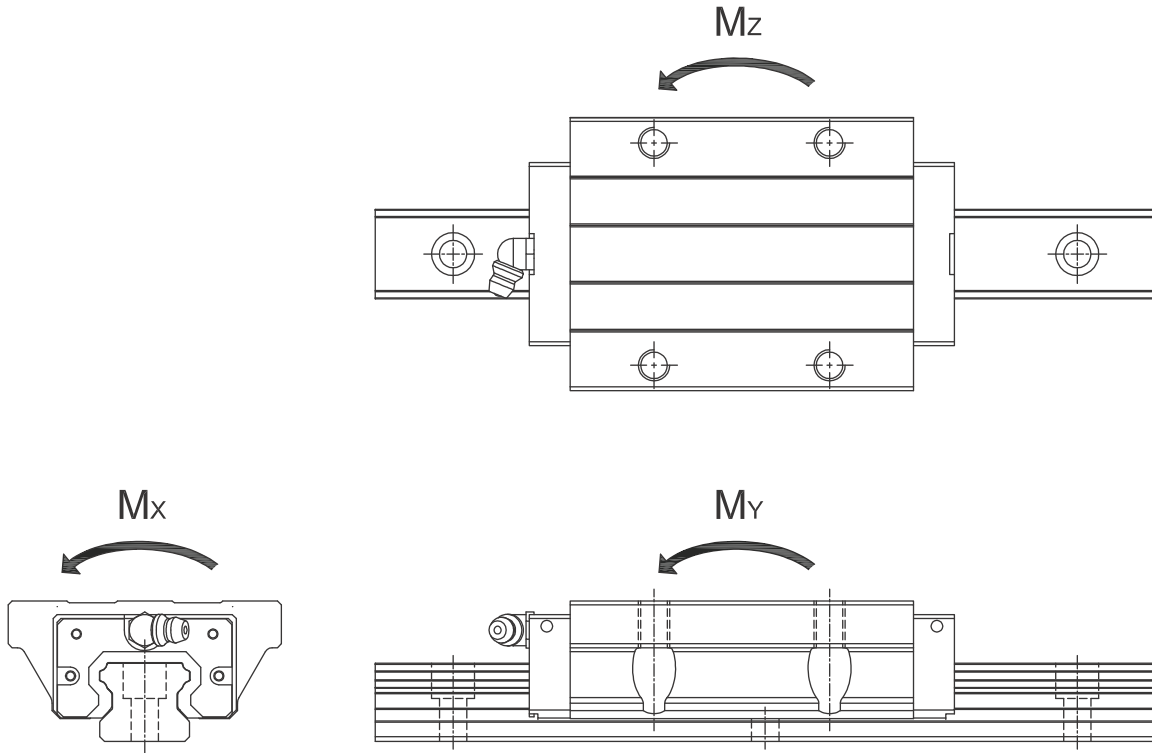
## TRH-F Series Specifications



Model No.	Assembly(mm)			Block(mm)										Rail(mm)					
	H	W2	E	W	B	J	t	L	L1	QXl	T1	Oil Hole	N	W1	H1	ØD	h	Ød	F
TRH15FN	24	16	3.2	47	38	30	8	55.9	39.5	M5X8	5.5	M4X0.7	7	15	13	7.5	6	4.5	60
TRH15FL								64.4	48										
TRH15FE								79.4	63										
TRH20FN	30	21.5	4.6	63	53	40	10	74	54	M6X10	6.5	M6X1	14	20	16.5	9.5	8.5	6	60
TRH20FL								79	59										
TRH20FE								98	78										
TRH25FN	36	23.5	5.8	70	57	45	12	80	59	M8X12	7.5	M6X1	14	23	20	11	9	7	60
TRH25FL								92	71										
TRH25FE								109	88										
TRH30FN	42	31	7	90	72	52	15	95.3	69.3	M10X15	8	M6X1	14	28	23	14	12	9	80
TRH30FL								106	80										
TRH30FE								131	105										
TRH35FN	48	33	7.5	100	82	62	15	108	79	M10X15	8	M6X1	14	34	26	14	12	9	80
TRH35FL								122	93										
TRH35FE								152	123										
TRH45FL	60	37.5	8.9	120	100	80	18	140	106	M12X18	10.5	PT1/8	12.5	45	32	20	17	14	105
TRH45FE								174	140										
TRH55FL	70	43.5	13	140	116	95	29	162	118	M14X17	11	PT1/8	12.5	53	44	23	20	16	120
TRH55FE								200.1	156.1										
TRH65FL	90	53.5	14	170	142	110	37	197	147	M16X23	19	PT1/8	12.5	63	53	26	22	18	150
TRH65FE								256.5	206.5										

※The above standard provided is dedicated to XN, UN, please check table 2.2.17 for detail, if other accessories is required, please refer to page A90.





Model No.	Rating Load (kgf)		Static permissible moment of load					Weight	
	C	Co	Mx(kgf-mm)	My(kgf-mm)		Mz(kgf-mm)		Block (kg)	Rail (kg/m)
			Single Block	Single Block	Double Block	Single Block	Double Block		
TRH15FN	1206	2206	16,436	14,884	70,960	14,884	70,960	0.17	1.32
TRH15FL	1343	2574	19,175	20,429	95,224	20,429	95,224	0.2	
TRH15FE	1560	3187	23,740	31,616	145,220	31,616	145,220	0.26	
TRH20FN	2050	3696	37,334	33,268	157,298	33,268	157,298	0.36	2.28
TRH20FL	2125	3891	39,299	36,965	176,924	36,965	176,924	0.4	
TRH20FE	2553	5058	51,089	63,229	284,163	63,229	284,163	0.53	
TRH25FN	2581	4503	52,239	43,407	207,324	43,407	207,324	0.54	3.17
TRH25FL	2875	5254	60,945	59,579	277,678	59,579	277,678	0.62	
TRH25FE	3248	6255	72,554	85,112	391,311	85,112	391,311	0.78	
TRH30FN	3807	6483	90,722	74,970	355,321	74,970	355,321	1.31	4.54
TRH30FL	4098	7203	100,803	93,100	438,966	93,100	438,966	1.42	
TRH30FE	4791	9004	126,003	147,000	677,068	147,000	677,068	1.77	
TRH35FN	5090	8346	142,722	106,070	519,799	106,070	519,799	1.36	6.27
TRH35FL	5502	9328	159,512	133,367	656,509	133,367	656,509	1.58	
TRH35FE	6667	12274	209,885	233,977	1,070,533	233,977	1,070,533	2.11	
TRH45FL	7572	12808	292,657	220,751	1,030,183	220,751	1,030,183	2.66	10.4
TRH45FE	8852	16010	365,821	348,554	1,598,703	348,554	1,598,703	3.55	
TRH55FL	14703	21613	571,342	411,729	2,019,184	411,729	2,019,184	3.62	16.1
TRH55FE	17349	27377	723,699	670,530	3,148,637	670,530	3,148,637	4.71	
TRH65FL	22526	31486	973,074	695,840	3,594,277	695,840	3,594,277	7.96	22.54
TRH65FE	27895	42731	1,320,601	1,307,568	6,312,759	1,307,568	6,312,759	11.35	

